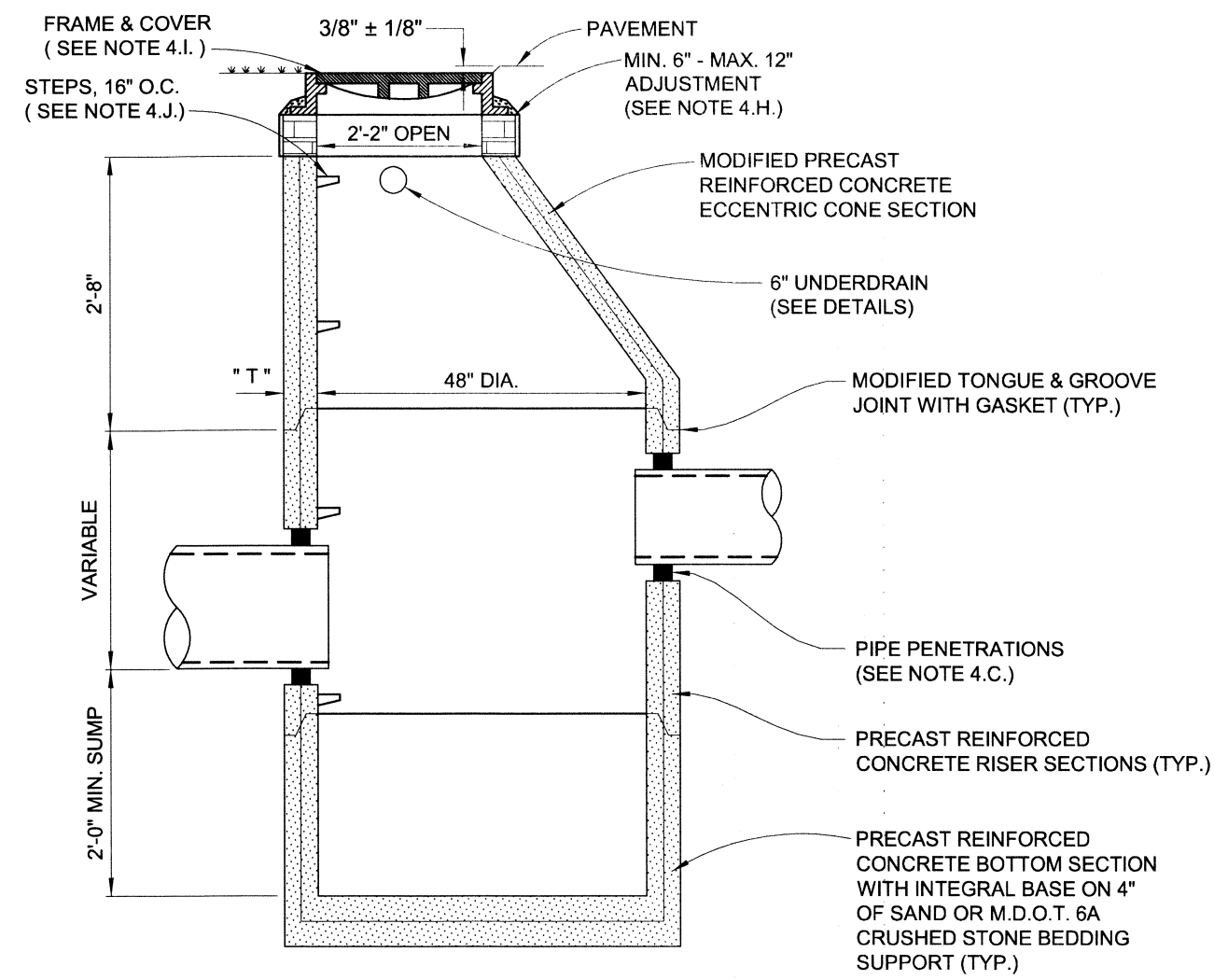
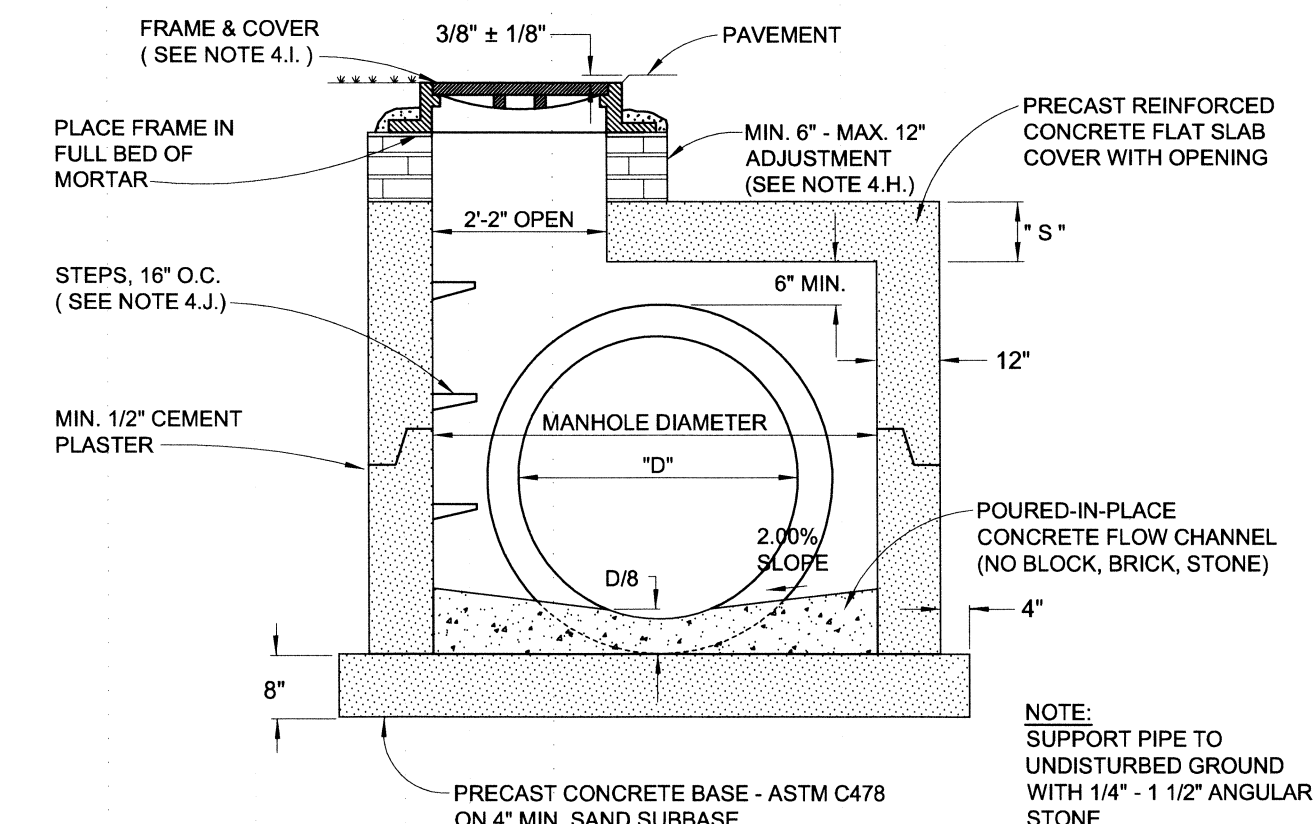


4 FT. DIAMETER CATCH BASIN WITH SUMP AND RESTRICTOR CLEANOUT

DEPTH	PRECAST
0'-10"	6"
10'-16"	8"



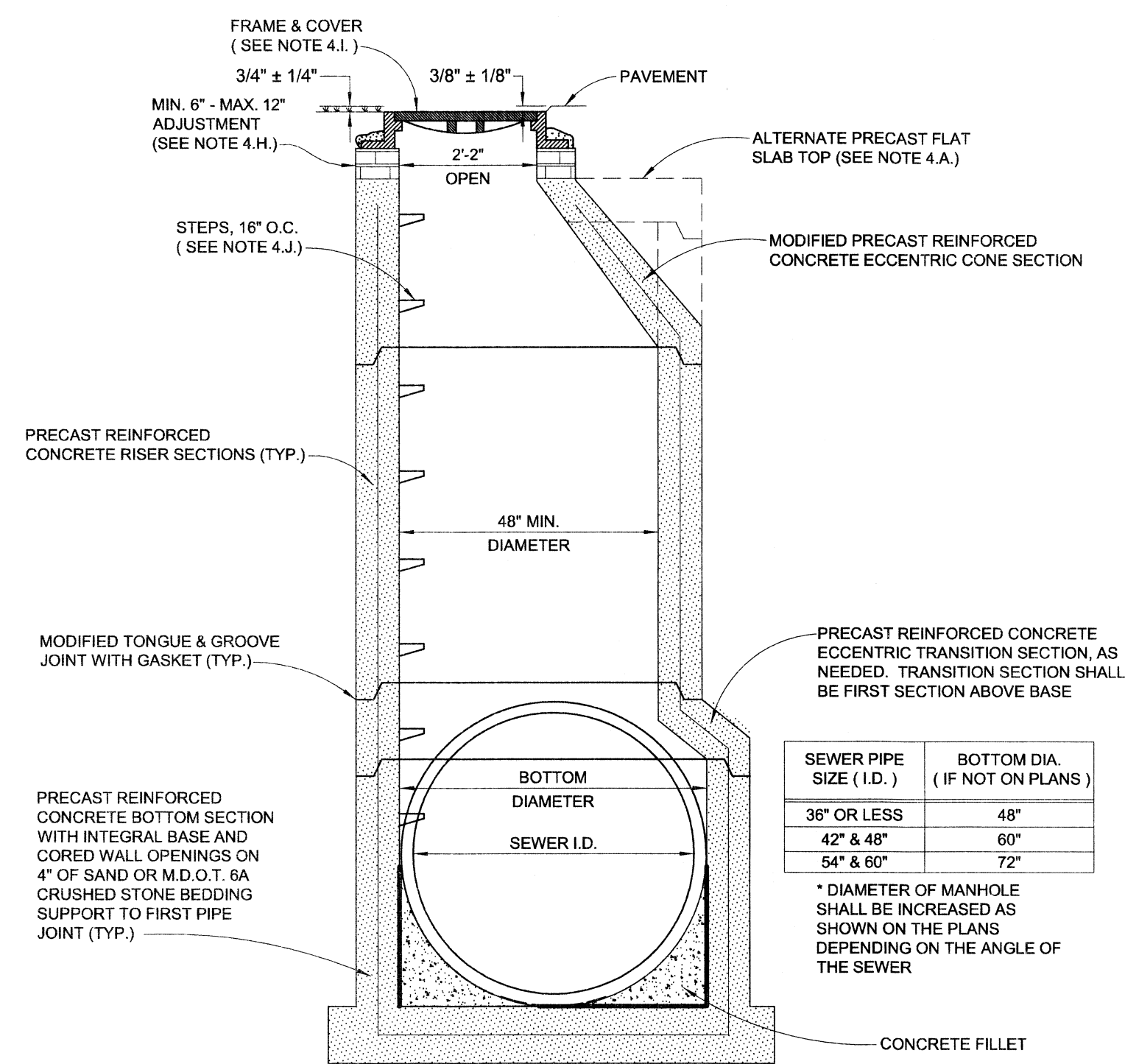
4 FT. DIAMETER CATCH BASIN WITH SUMP



OUTLET "D"	M.H. I.D.*	TOP SLAB "S"	REINFORCING STEEL
36" OR LESS	4'	9"	3/4" @ 9" EA. WAY
42"	5'	10"	3/4" @ 9" EA. WAY
48"-54"	6'	11"	7/8" @ 9" EA. WAY
60" OR MORE	7'	12"	1" @ 9" EA. WAY
	8'	12"	1" @ 9" EA. WAY

*DIAMETER OF MANHOLE SHALL BE INCREASED AS SHOWN ON THE PLANS DEPENDING ON THE ANGLE OF THE SEWERS

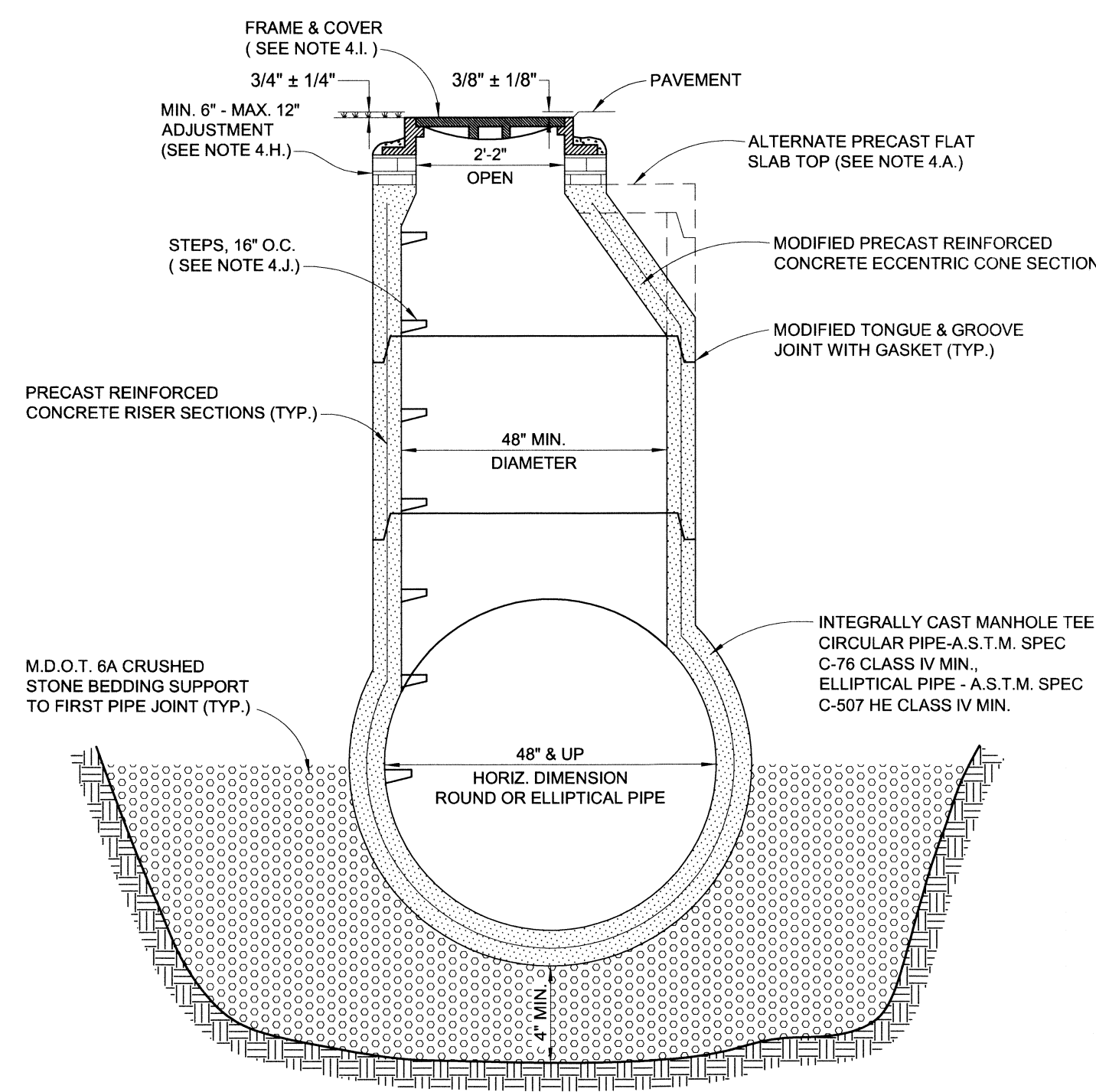
PRE-CAST LOW HEAD MANHOLE



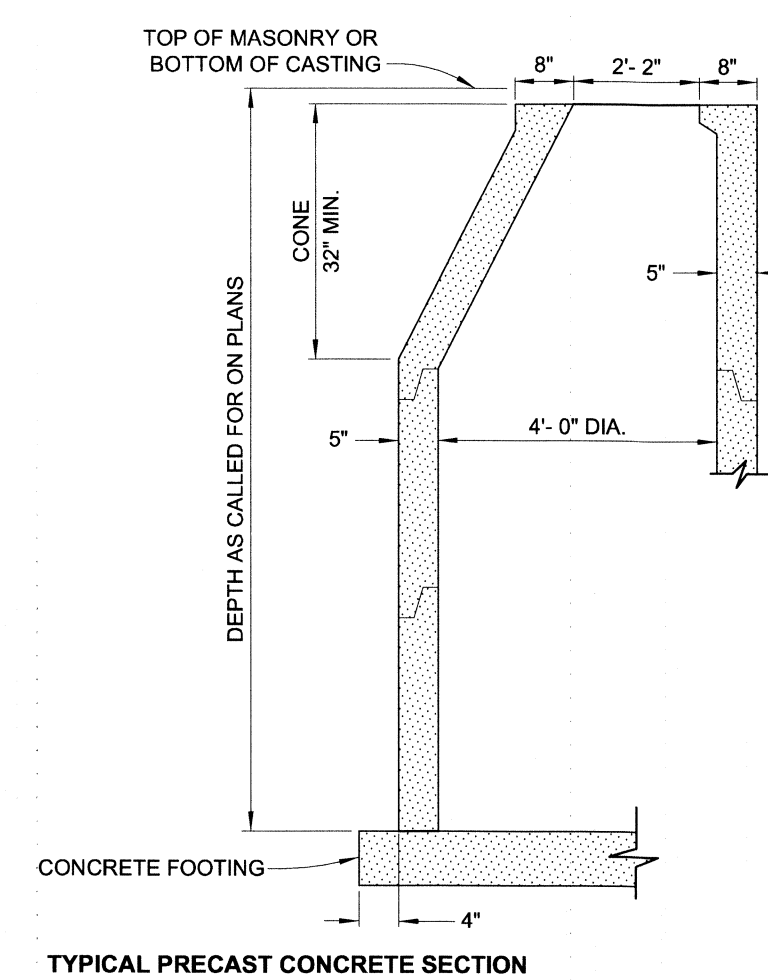
STORM SEWER MANHOLE

SEWER PIPE SIZE (I.D.)	BOTTOM DIA. (IF NOT ON PLANS)
36" OR LESS	48"
42" & 48"	60"
54" & 60"	72"

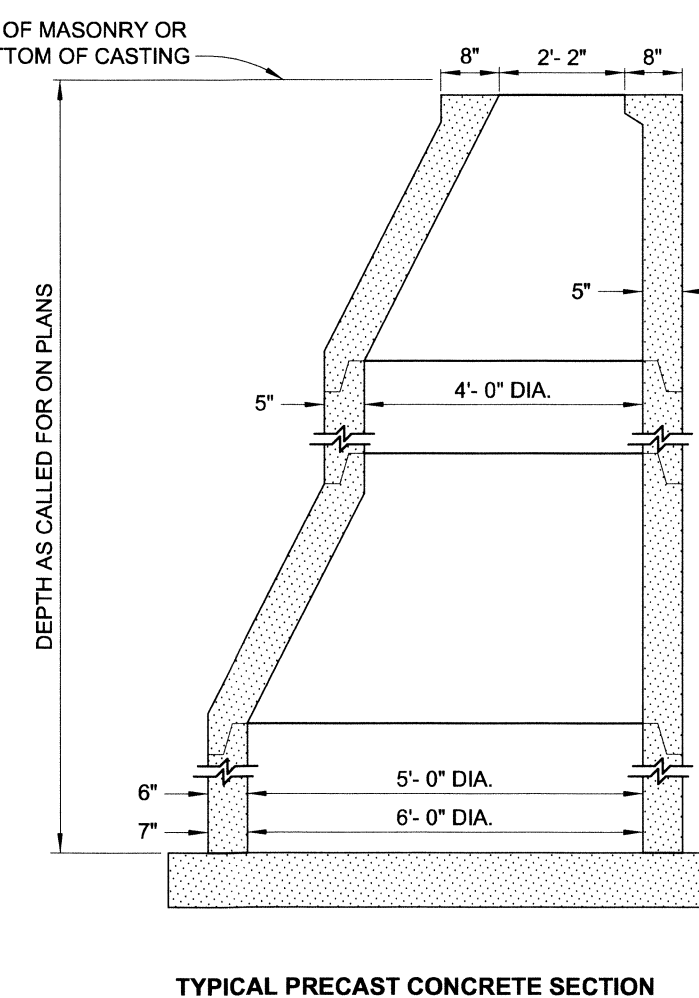
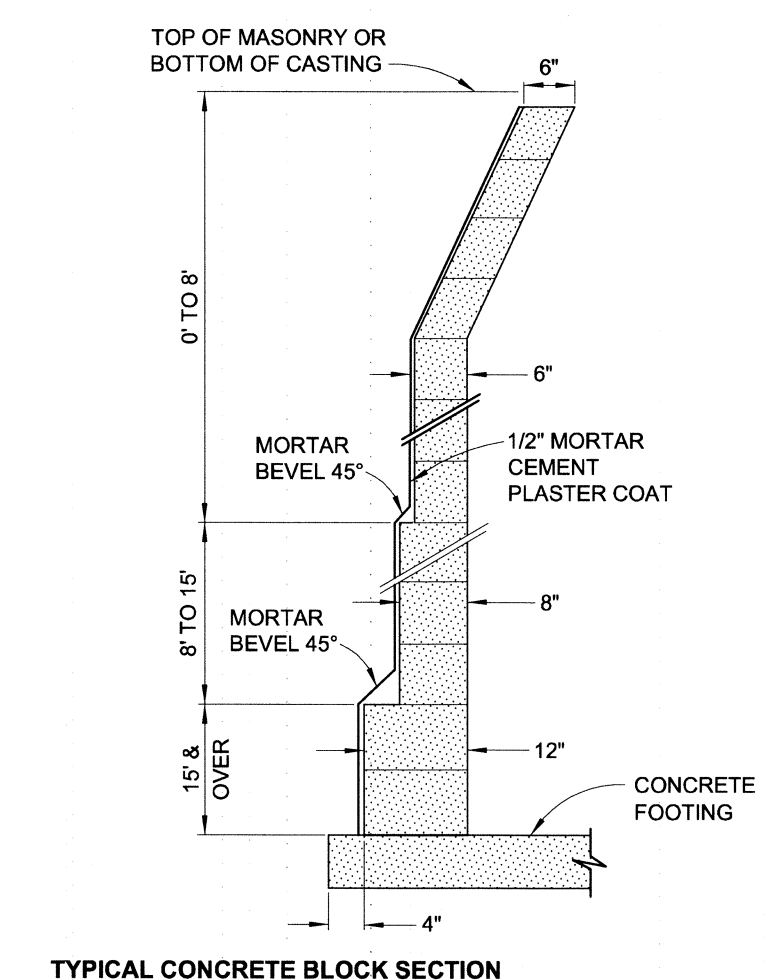
*DIAMETER OF MANHOLE SHALL BE INCREASED AS SHOWN ON THE PLANS DEPENDING ON THE ANGLE OF THE SEWER



STORM SEWER TEE MANHOLE "B"

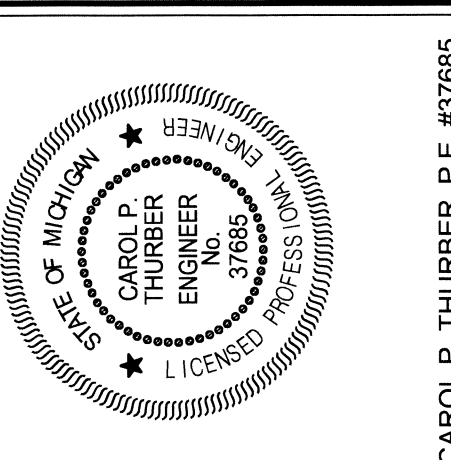


TYPICAL WALL SECTION FOR 4'-0" DIAMETER DRAINAGE STRUCTURE



TYPICAL WALL SECTION FOR LARGER THAN 4'-0" DIAMETER DRAINAGE STRUCTURE

FAZAL KHAN & ASSOCIATES, INC.
CIVIL ENGINEERS & LAND SURVEYORS
 43279 SCHOENHERR STERLING HEIGHTS, MI 48313
 PHONE (586) 739-8007 FAX (586) 739-6994
WWW.FAZALKHAN.COM



DEPARTMENT OF PUBLIC WORKS

APPROVED BY: *[Signature]*
 DAVID G. MILLER II
 DIRECTOR OF PUBLIC WORKS

DATE: JUNE 16, 2015

CHARTER TOWNSHIP OF SHELBY
 STANDARD DETAILS FOR STORM SEWER (1 of 2)



REVISED	M.I.
09-27-2011	
06-15-2015	C.T.